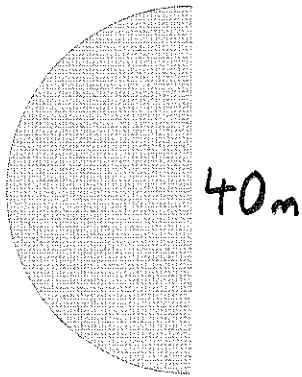
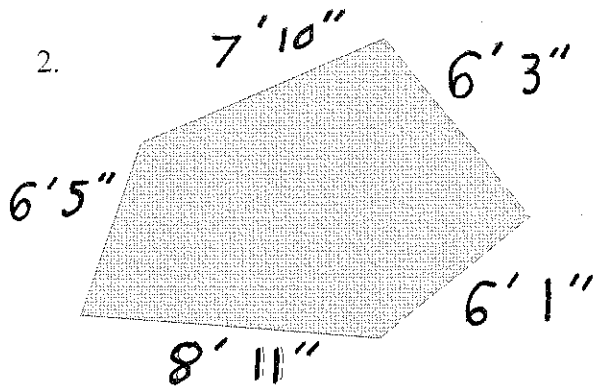


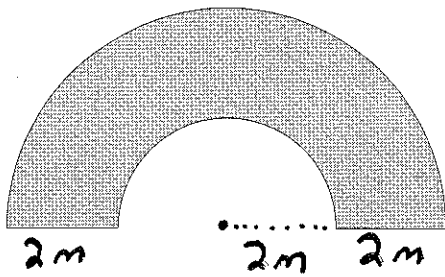
1.



2.



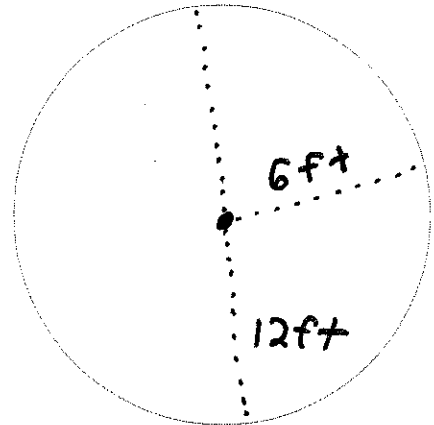
3.



4. The data sheet gives two formulas for the circumference of a circle: $C = \pi d$ or $C = 2\pi r$

a) What do the "d" and the "r" in the formulas stand for?

b) Calculate the circumference of the following circle using the formula $C = \pi d$ show all work.



c) Calculate the circumference of the circle from b) using the formula $C = 2\pi r$ show all work.

5. The perimeter of a rectangle is given by the formula $P = 2l + 2w$

a) What do the "l" and "w" stand for in this formula?

b) Why does this formula always give the same answer you would get from adding up the four sides of a rectangle?