

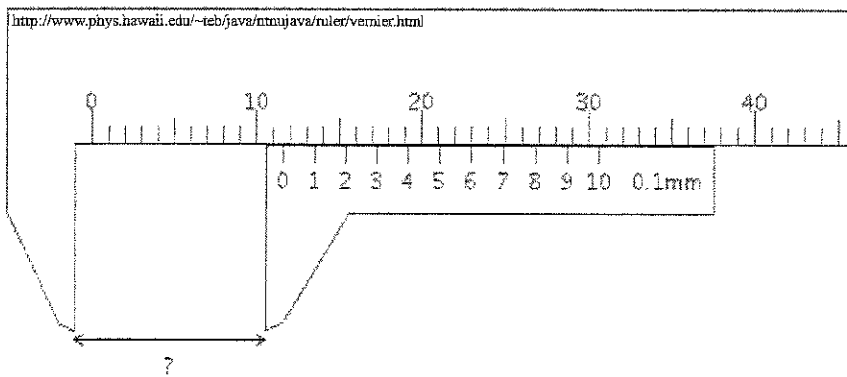
Name: _____

1. Using a ruler determine how long this pencil is in inches to the nearest **quarter of an inch**.



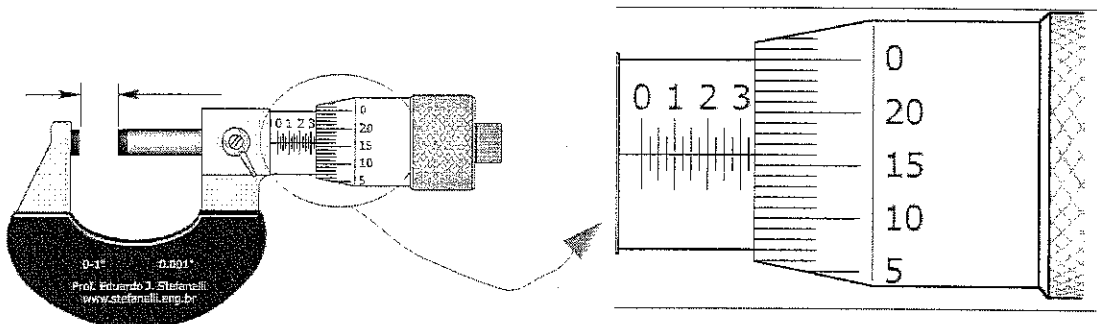
$4 \frac{3}{4}''$

2. Read the following measurement of a SI Vernier calliper.



11.6 mm

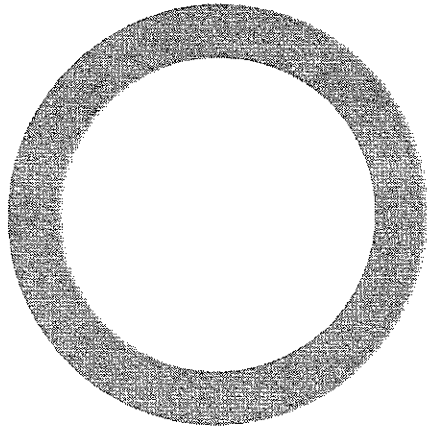
3. Read the following micrometer measurement in decimal inches. HINT: the answer is less than 1 inch.



~~3.25~~
~~3.16~~
~~3.41~~

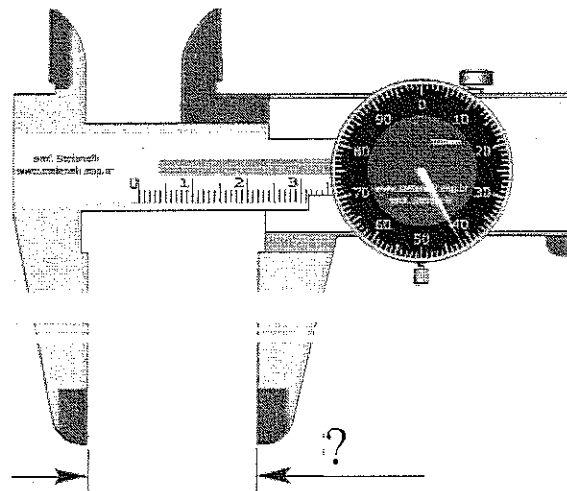
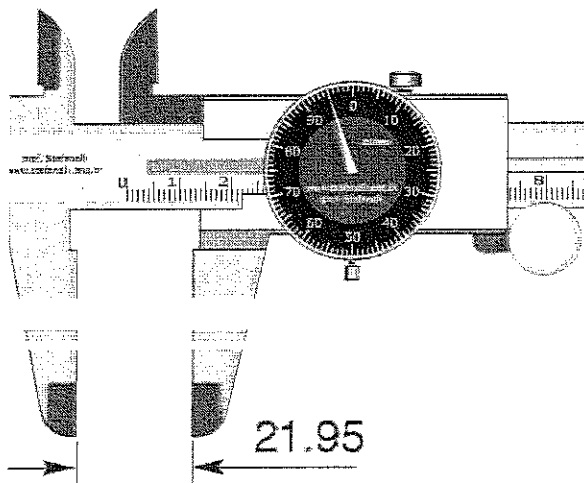
$$\begin{array}{r} 0.325 \\ + \quad 16 \\ \hline 0.341'' \end{array}$$

4. Use a ruler to determine the **inner diameter** of the pipe shown to the nearest **millimetre**.



42 mm

5. Below is an example of a dial calliper reading 21.95mm, determine the reading on the second dial calliper.



31.42 mm