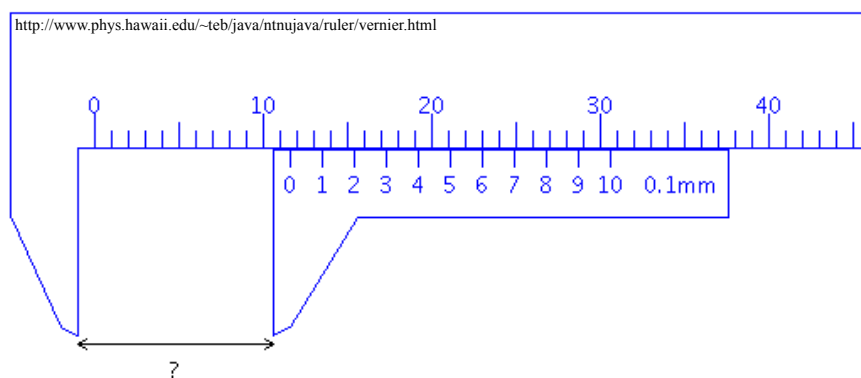


Name: _____

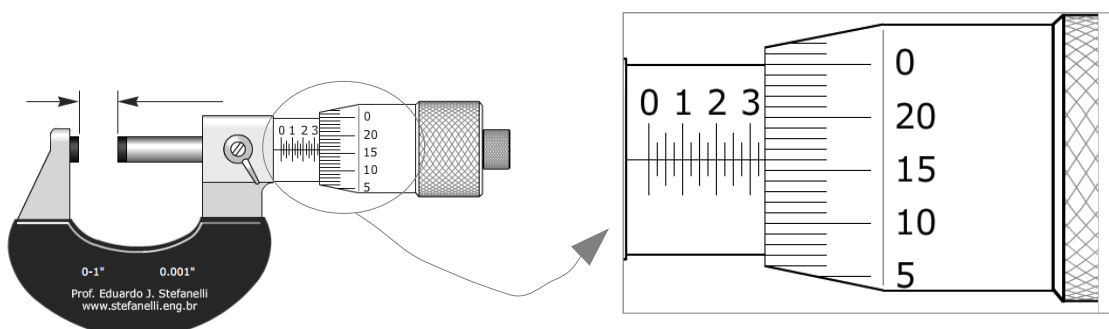
1. Using a ruler determine how long this pencil is in inches to the nearest **quarter of an inch**.



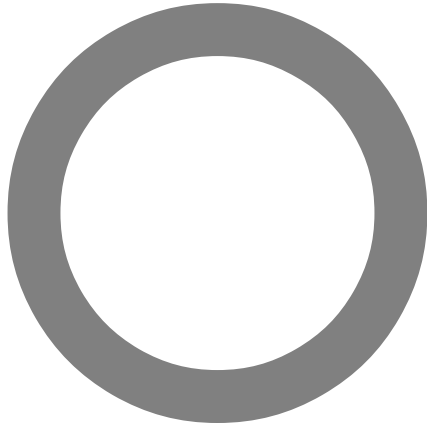
2. Read the following measurement of a SI Vernier calliper.



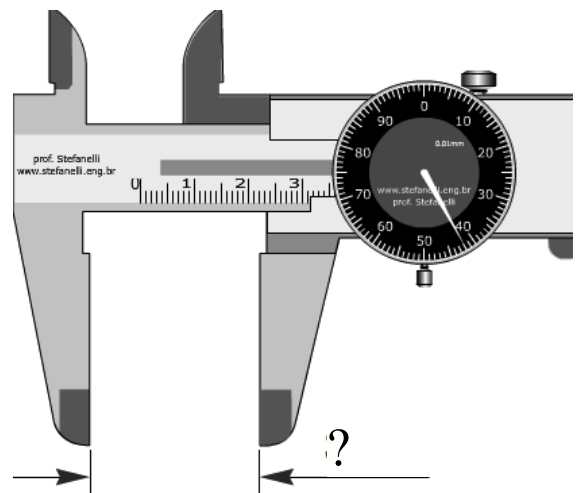
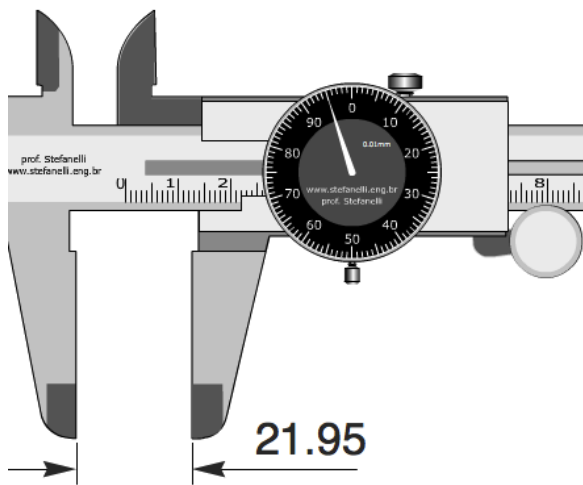
3. Read the following micrometer measurement in decimal inches. HINT: the answer is less than 1 inch.



4. Use a ruler to determine the **inner diameter** of the pipe shown to the nearest **millimetre**.



5. Below is an example of a dial calliper reading 21.95mm, determine the reading on the second dial calliper.



6. Jennifer is hanging a picture on a wall, she wants the height of the centre of the 26 inch picture to be exactly halfway up the 8 foot wall. The place on the frame the picture will hang from is half an inch from the top of the picture.

0.5 inch |



26 inches

How high up the wall should she put the nail?